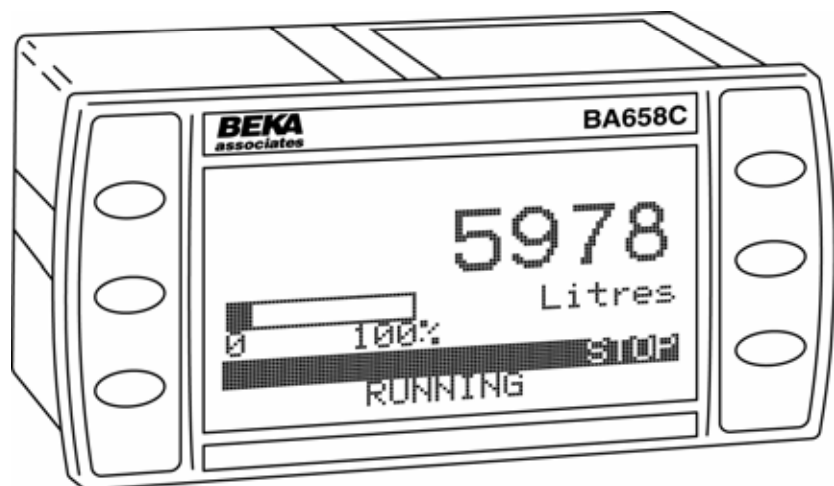


BA658C Panel mounting Batch Controller

Issue 4



CONTENTS

- 1. Description**
 - 2. Operation**
 - 2.1 Operator controls
 - 3. System Design**
 - 3.1 Power supply
 - 3.1.1 Power supply failure
 - 3.2 Pulse inputs
 - 3.2.1 Switch contact
 - 3.2.2 2-wire proximity detector
 - 3.2.3 Voltage pulse
 - 3.3 4/20mA analogue input
 - 3.4 Switch outputs
 - 3.5 External switches
 - 3.6 Inhibit link
 - 3.7 Security link
 - 4. Installation**
 - 4.1 Location
 - 4.2 Installation procedure
 - 4.3 EMC
 - 5. Configuration menus**
 - 5.1 Security
 - 5.2 Navigation
 - 5.3 Default configuration
 - 5.4 System settings
 - 5.4.1 Language
 - 5.4.2 User controls
 - 5.4.3 Signal input
 - 5.4.4 4mA calibration
 - 5.4.5 20mA calibration
 - 5.4.6 Lineariser
 - 5.4.7 Restart
 - 5.4.8 Output 2
 - 5.4.9 Output 3
 - 5.4.10 Optional outputs 4, 5 & 6
 - 5.4.11 Pulse output
 - 5.4.12 Clear grand total
 - 5.4.13 Defaults
 - 5.4.14 Security
 - 5.4.15 User screens
 - 5.4.16 Display
 - 5.4.17 Output options
 - 5.4.17.1 Control 2
 - 5.4.17.2 Control 3
 - 5.4.17.3 Flow alarm
 - 5.4.17.4 Reset status
 - 5.4.17.5 Batch status
 - 5.4.17.6 Pulse output
 - 5.5 Batch settings
 - 5.5.1 Scale Points (Non linear. pulse inputs)
 - 5.5.2 Scale Factors (Non linear pulse inputs)
 - 5.5.3 Scale Factor (Linear pulse inputs)
 - 5.5.4 Scaling (4/20mA input)
 - 5.5.5 Batch D.P.
 - 5.5.6 Batch Legend
 - 5.5.7 Batch Limit
 - 5.5.8 Batch Names
 - 5.5.9 Batch Size
 - 5.5.10 Select Batch
 - 5.5.11 Batch History
 - 5.5.12 CONTROL2delay
 - 5.5.13 CONTROL2stop
 - 5.5.14 CONTROL3delay
 - 5.5.15 CONTROL3stop
 - 5.5.16 Count Mode
 - 5.5.17 Overrun Compensation
 - 5.5.18 Batch Cycles
 - 5.5.19 Restart Delay
 - 5.6 Rate settings
 - 5.6.1 Rate Scaling (Pulse inputs)
 - 5.6.2 Rate D.P. (Pulse inputs)
 - 5.6.3 20mA Display (4/20mA input)
 - 5.6.4 Rate Legend
 - 5.6.5 Timebase
 - 5.6.6 Rate Filter
 - 5.6.7 Flow Alarm
 - 5.6.8 Clip-Off
- 6. Calibration Examples**
- 7. Maintenance**
 - 7.1 Fault finding during commissioning
 - 7.2 Fault finding after commissioning
 - 7.3 Servicing
 - 7.4 Routine maintenance
 - 7.5 Guarantee
 - 7.6 Customer comments
- 8. Accessories**
 - 8.1 Tag number
- 9. Index**

Appendix 1 User Screens

Appendix 2 Diagnostic Information Menu

The BA658C is CE marked to show compliance with the European EMC Directive 89/336/EEC

1. DESCRIPTION

The BA658C is a panel mounting batch controller primarily intended to control the dispensing of liquids, solids or components. It is a second-generation instrument that replaces both the BA550BP and the BA550BC.

Although incorporating sophisticated control functions, the BA658C is easy to operate and configure. Batch status and the function of the front panel push-buttons are shown on the backlit graphic display which is visible in all lighting conditions. The instrument can provide single, dual or three stage control and may be used with both pulse and 4/20mA analogue output flowmeters.

Housed in a robust 72 x 144 panel mounting DIN enclosure, the controller has an IP65 front panel and is supplied with a gasket to seal the joint between the instrument and the panel.

2. OPERATION

Fig 1 shows a typical BA658C dispensing application. The BA658C controller incorporates programmable input scaling so that the total and rate displays may be in any engineering units such as litres or gallons.

The operator enters or selects, via the front panel push-buttons, the setpoint which is the required volume to be dispensed. Control 1 is energised immediately the *Start* push-button is operated, followed by Control 2 after a programmable time delay. Towards the end of the batch, Control 2 is de-energised a programmable volume before the batch setpoint is reached when Control 1 is also de-energised.

By operating a small bypass valve from Control 1 and the main control valve from Output 2, the flow can be started and stopped slowly thus reducing batching errors and flow surges. If less accuracy is required, single stage control can be accomplished using just Control 1 and one control valve.

Control 1 is a dedicated output, but Outputs 2 and 3 may be configured as control, pulse or batch status outputs.

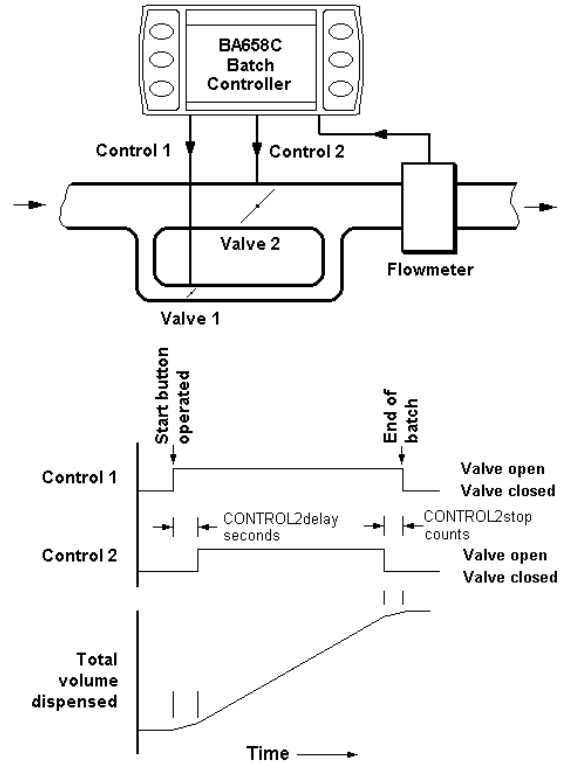


Fig 1 Typical batch control application

If additional outputs are required, three more may be added as a factory installed option.

The BA658C incorporates a selection of operator display screens allowing the installer to choose a display which only present essential information to the operator.

To prevent accidental or unauthorised adjustments, the operator and configuration menus may be protected by separate security codes. The configuration menu may also be protected by a security link connected between terminals at the rear of the instrument. This link may be hard-wired, or connected to a panel mounting key-switch when frequent changes are required.

Fig 2 shows a simplified block diagram of the controller.

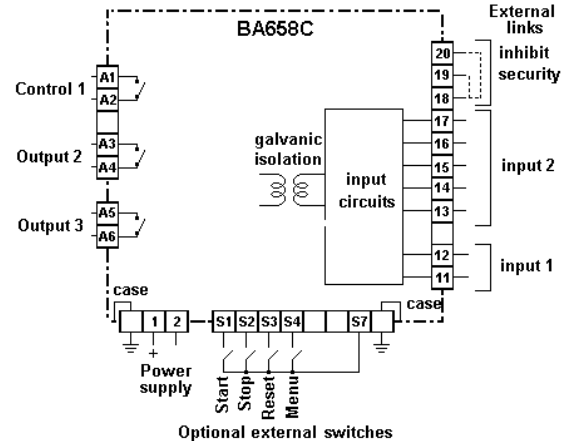


Fig 2 Simplified block diagram of BA658C

2.1 Operator Controls

The BA658C batch controller may be configured with a variety of operator display screens. Each set of screens provides a different level of information, some including graphical displays. All the screens identify the function of the front panel push-buttons which have the following functions.

START Causes Control 1 to be energised which will start the batch. The screen will display 'Running' until the batch is completed, or the *STOP* push-button is operated.

STOP Operating this button during a batch immediately de-energises Control 1 and Control Outputs 2 & 3 if they are used, causing the batch to pause. 'Paused' will be displayed on the screen. During a pause any input signal continues to be counted. The batch may be resumed at any time by pressing the *Start* button, or it may be aborted by operating the *Reset* button.

At the end of each batch the Control Output(s) will be de-energised and 'Complete' will be displayed on the screen.

RESET After completion of a batch the batch controller must be reset before the next batch can be started. After resetting the screen displays 'Ready'. Input signals are ignored until the *Start* button is operated.

Note: Two selectable options modify the reset function.

Quick Restart eliminates the need to manually reset the BA658C at the end of each batch. When a batch is complete the batch controller will display the volume that has been dispensed. Operating the *Start* pushbutton will reset the batch controller and start another batch. See section 5.4.7

Auto Restart enables the batch controller to run continuously. At the end of each batch the controller waits for a programmable time before automatically resetting and starting another batch. This sequence will continue until a programmable number of batches has been completed or the *Stop*

button is operated. See section 5.4.7

MENU

Operating this button gives access to the Operator Menu that may be protected by a four digit security code. This menu may be configured to give the operator access to any, or none of the following functions:

Select Batch	Select 1 of 9 pre-entered setpoints
Batch Size	Adjust 1 or all 9 setpoints.
Batch History	Show size of last 10 batches.
Configure	Full access to the instruments configuration menu.

If no items are contained in the menu the operator can only start, pause and stop a batch. Inclusion of the Select Batch function allows the operator to select the batch setpoint from one of nine pre-entered values. To aid identification, each setpoint may be identified by a name having up to sixteen digits.

If included in the menu, the Batch Size function allows the adjustment of all the pre-entered batch setpoints.

Batch History shows the size of the last ten batches which have been completed.

The Configure function provides operator access to the batch controller configuration menus described in section 5. Entry to these menus is protected by an external link between terminals 18 and 19 and an optional four digit security code.

3. SYSTEM DESIGN

The BA658C is a versatile instrument that may be used with most flowmeters having a pulse or 4/20mA output. Fig 3 illustrates the basic circuit that is used for all installations. Although the BA658C batch controller will operate from a wide range of input sources, only one source or transducer may be connected at any time.

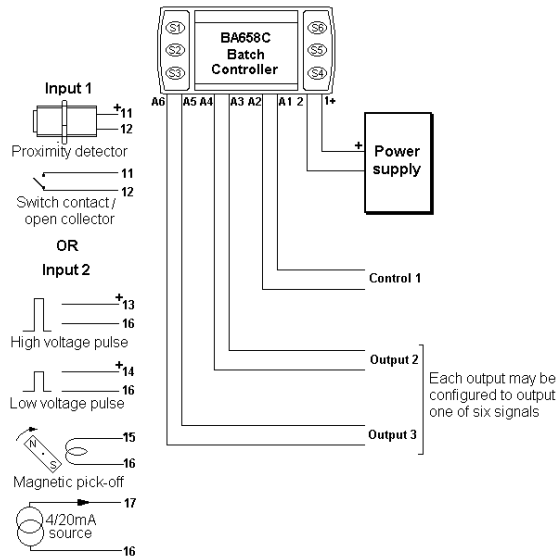


Fig 3 Basic batch controller circuit

3.1 Power supply

Any dc power supply having an output between 20 and 36 volts that is capable of supplying 95mA may be used to power the BA658C. The output ripple must not cause the instantaneous voltage to fall below 20V.

The batch controller inputs and outputs are galvanically isolated thus allowing multiple batch controllers to be operated from a common power supply. Similarly, if required the power supply may be earthed. If a common or earthed supply is used, the batch controller inhibit and security links, and the optional external switches should only be connected to electrically isolated switch contacts. I.e. they should not be earthed or connected to other circuits.

3.1.1 Power supply failure

If the power supply for the BA658C fails during a batch, the instrument will remember the amount of product dispensed when the supply failed, together with the number of cycle completed if autostart is being used. When power is restored, the batch controller will return in the Paused condition displaying the amount of product dispensed prior to the

failure. Operating the *Start* pushbutton will complete the batch.

If the supply failure occurs when the batch controller is in the Ready or Complete state, the controller will return in the same state when power is restored.

3.2 Pulse inputs

As shown in Fig 3 the BA658C batch controller may be connected to a wide variety of pulse transducers. Input 1 is for pulse sources that need powering by the batch controller such as switch contacts or a 2-wire proximity detector. Input 2 is for voltage pulse inputs such as the magnetic pickup in a turbine flowmeter, or a voltage pulse output from a flowmeter.

The following table shows the switching thresholds for each type of input, plus the maximum operating frequency and the input terminal numbers. For reliable counting the input signal must fall below the lower switching threshold and rise above the upper threshold.

	Switching thresholds		Freq max	Input terminals
Switch	100Ω	1000Ω	100Hz	12 & 11 +
Proximity detector	1.2mA	2.1mA	5 kHz	12 & 11 +
Open collector	2kΩ	10kΩ	5kHz	12 & 11 +
Magnetic pickup	10mV	30mV	5kHz	16 & 15 +
Low voltage pulse	1V	3V	5kHz	16 & 14 +
High voltage pulse	3V	10V	5kHz	16 & 13 +

Note: Only one input may be used at a time.

3.2.1 Switch contact input

Any switch contact may be connected directly to terminals 12 & 11. Most magnetically activated reed relays used in turbine flowmeters may be used.

The maximum operating frequency for a switch contact input is 100Hz.

3.2.2 2-wire proximity detector input

Any 2-wire proximity detector complying with NAMUR switching thresholds (1.2mA and 2.1mA) may be connected to terminals 12 & 11

When conditioned to operate with a proximity detector, the maximum input frequency of the BA658C batch controller is 5kHz.

3.2.3 Voltage pulse input

Voltage pulse sources may be connected directly to input 2, the terminals used depend upon the input magnitude – see the table in section 3.2.

This enables the BA658C to be connected to most flowmeters incorporating a magnetic pickup, or an amplifier producing a high level pulse output.

When conditioned to operate with a voltage pulse source, the maximum input frequency of the BA658C batch controller is 5kHz.

3.3 4/20mA analogue input

The BA658C can also accept an analogue 4/20mA input representing rate of flow from a current source, **not a current sink**. Loop powered flow transmitters require an additional power supply. The batch controller input is galvanically isolated and only introduces a 0.6V drop into the 4/20mA loop. It may therefore be connected to almost any flowmeter loop.

	Voltage drop	Freq. Max.	Input terminals
4/20mA	0.6V	2Hz	16 & 17+

3.4 Switch outputs

The BA658C batch controller has three single pole relay outputs which may be used for switching valves, actuators or contactors in high power applications.

Output	Terminals
Control 1	A1 & A2
Output 2 May be configured to output one of six different signals.	A3 & A4
Output 3 May be configured to output one of six different signals.	A5 & A6

The output relay contact rating must not be exceeded.

240V	5A	1.25kVA
30V	5A	150W dc

When a reactive load is being switched by the relay contact, it is essential that a suppressor is fitted to prevent contact damage and radio frequency interference. A 0.1µF capacitor in series with a 100Ω resistor connected between the relay contacts will usually provide

adequate suppression. Proprietary encapsulated suppression assemblies can be purchased from electrical suppliers. Please note that BEKA associates' guarantee excludes relay contact damage.

WARNING

These switch outputs should not be used for critical safety applications.

When the BA658C power supply is turned off or disconnected, all BA658C switch outputs will open.

Notes: For applications requiring change-over contacts, the BA658C can be supplied with just Control 1 and Output 2 each having change-over contacts

Three additional outputs, each of which may be configured to output one of six signals, are available as a factory fitted option. Each output is a single pole isolated solid state switch capable of controlling a 30V 100mA dc load.

3.5 External switches

For application requiring the batch controller to be controlled by large industrial pushbuttons, four external switches may be connected as shown in Fig 2. Unlike the front panel pushbuttons, each external switch has a dedicated operating and configuration function.

Switch number	Switch function when	
	Operating	Configuring
S1	<i>Start</i>	<i>Down</i>
S2	<i>Stop</i>	<i>Up</i>
S3	<i>Reset</i>	<i>P</i>
S4	<i>Menu</i>	<i>E</i>

3.6 Inhibit link

Linking terminals 18 and 20 together inhibits the batch controller input. If linked during a batch, none of the outputs will change so dispensing will continue, but the volume dispensed while the link is connected will not be added to the batch display. This facility is intended for applications requiring pre-batch purging, or re-circulation during batching to maintain temperature or good mixing.

3.7 Security link

Access to the configuration menus is only available when terminals 18 & 19 at the rear of the instrument are linked together. This may be achieved with a wire link or a keyswitch when frequent security changes are required.

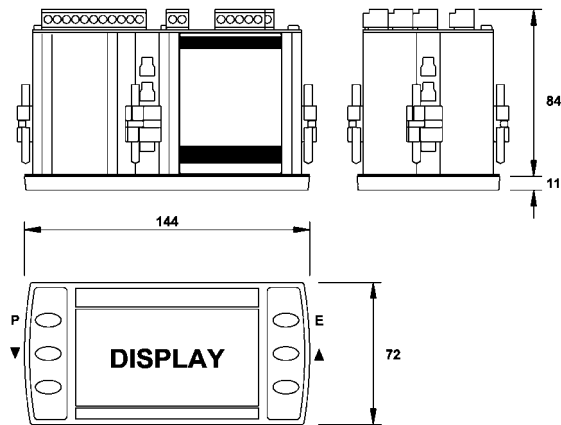
4. INSTALLATION

4.1 Location

The BA658C is housed in a robust aluminium enclosure with a toughened glass window mounted in a Noryl bezel. The front of the instrument provides IP65 protection and a gasket seals the joint between the instrument enclosure and the panel. The instrument may be installed in any panel providing the environmental limits shown in the specification are not exceeded.

Fig 4 shows the overall dimensions of the BA658C and the panel cut-out. To achieve an IP65 seal between the instrument enclosure and the panel, the smaller cut-out must be used and the instrument secured with four panel mounting clips.

The BA658C liquid crystal display has maximum contrast when viewed from directly ahead and slightly below the centre line of the instrument.



Cut-out Dimensions

DIN 43 700
138.0 +1.0/-0.0 x 68.0 +0.7/-0.0

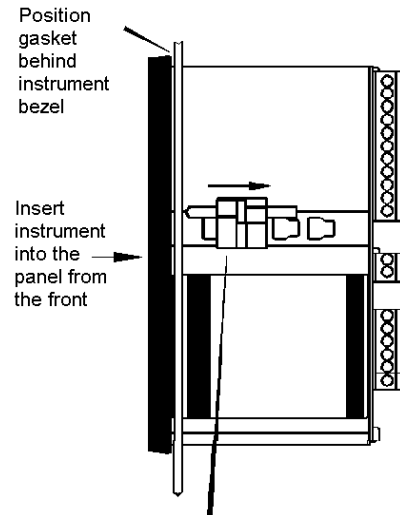
To achieve an IP65 seal between instrument enclosure and panel

136.0 +0.5/-0.0 x 66.2 +0.5/0.0

Fig 4 BA658C dimensions

4.2 Installation Procedure

- Insert the BA658C into the instrument panel cut-out from the front of the panel.
- Fix panel mounting clips to opposite sides of the instrument and tighten until the instrument is secure as shown in Fig 5. Four clips are required to achieve an IP65 seal between the instrument enclosure and the panel.
- Connect the panel wiring to the rear terminal block(s) as shown in Fig 5. To simplify installation, the terminals are removable so that panel wiring can be completed before the instrument is installed.



Slide panel mounting clip into the slotted rail on the side of the enclosure. Four clips are required to achieve an IP65 seal between the instrument and the panel

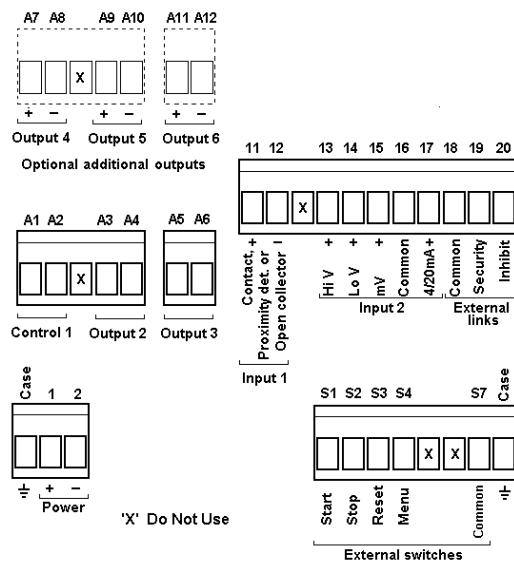


Fig 5 Installation and terminal connections

4.3 EMC

The BA658C complies with the requirements of the European EMC Directive 89/336/EEC. For specified immunity all wiring should be in screened twisted pairs.

To prevent circulating currents, cable screens should only be earthed at one point.

5. CONFIGURATION MENUS

The BA658C batch controller is configured via the front panel pushbuttons. Configuration functions are contained in three easy to use sub-menus, 'System Settings', 'Batch Settings' and 'Rate Settings'. A fourth sub-menu 'Information' shows how the instrument has been configured.

Although the BA458 batch controller contains many sophisticated functions, it remains simple to operate and configure. Menu navigation is explained in section 5.2. Guided by on-screen prompts, the use of the configuration functions is intuitive, but all the functions are fully described in this manual.

5.1 Security

To prevent unauthorised or accidental adjustment, the configuration menus can only be accessed when an external link is fitted between terminals 18 and 19 as shown below.

Terminals 18 and 19	Access to configuration menus
Linked	Yes
Not linked	No

When authorised personnel need to make frequent configuration adjustments, the security link terminals may be wired to an external key switch.

The configuration menus may also be protected by a user selectable four digit security code.

A separate four digit user selectable security code may be applied to the operator menu.

5.2 Navigation

The BA658C is configured via the front panel pushbuttons which are soft-keys identified on the display screen.

This manual contains simplified drawings of the batch controller display screens associated with most functions. Although some screens may consist of multiple pages that are automatically accessed by scrolling through the options, this manual shows them on one page with the default option in bold.

Within this manual push-buttons are shown in italics e.g. *P* or *Up* push-button and legends displayed by the batch controller are shown within inverted commas e.g. 'Running'.

When the batch controller is displaying 'Ready' access to the main configuration

menu is obtained by pressing the *P* and *E* buttons simultaneously or, if enabled, via the Operator Menu. The configuration menu can not be accessed while the batch controller is running.

Once within the main menu the *Up* and *Down* buttons move the highlight bar between sub-menus. When the required option has been highlighted, operating the *P* button will access the sub-menu.

The highlight bar is static when indicating a menu or sub-menu. When indicating an option which has to be selected, or a variable that has to be entered, the highlight bar flashes on and off.

The configuration main menu comprises four sub-menus:

System Settings	Defines function of batch controller including outputs & display screen. See Fig 6 & section 5.4
Batch Settings	Defines batch parameters. See Fig 9 & section 5.5
Rate Settings	Defines rate parameters. See Fig 11 & section 5.6
Information	Lists all the batch controller settings and allows the Grand Total to be read. See Appendix 2.

Highlighting the required function within the sub-menu and operating the *P* pushbutton will access the function menu. Functions offer a choice of options or an invitation to enter a variable.

To select an option in a function menu

Press the *Up* or *Down* button to move the flashing display highlight bar to the required option, operating the *E* button will then store the selected option and move the display up one level to the sub-menu.

To enter a variable

Variables are entered digit by digit, the flashing digit being adjusted using the *Up* or *Down* button. When a digit is set as required operating the *P* button will transfer control to the next digit. When all the digits have been adjusted, operating the *E* button will store the variable and move the display up one level to the sub-menu.

When navigating through the menus the push-button(s) should be held until the required screen is displayed.

Note:

Functions that are dependent on a higher level option are automatically removed from the sub-menu when the higher level option is not selected. e.g. If the batch controller is configured for a pulse input, all the calibration functions associated with a 4/20mA input will be automatically removed from the menus.

Rate Settings

Rate Scaling	000001.
Rate D.P.	00000.0
20mA Display	00100.0
Rate Legend	No legend
Timebase	Seconds
Rate Filter	
Smoothing	2
Jump-Out	4
Flow Alarm	00000.0
Inhibit Time	0000
Clip-Off	00000.0

5.3 Default configuration

Unless otherwise requested at the time of ordering, BA658C batch controllers will be supplied configured as follows:

Default parameters may be globally restored see section 5.4.13

System Settings

Language	English
Operator control	Both Local & Remote.
Signal Input	Open Collector
Lineariser	Off
Restart	Normal
Output 2	Unused
Output 3	Unused
Optional outputs 4, 5 & 6	Unused
Pulse Output	Display / 1
Grand Total	Cleared
Security	
Config. Code	0000
Operator Code	0000
Operator Menu	
Batch Sizing	On
Batch Select	On
History	On
Config. Menu	On
Operator Screens	Screen 1

Batch Settings

Scale Factor (Linear Pulse)	000001.
Scaling 4/20mA input (RateUnits / BatchUnits)	000001.
Batch D.P.	00000000.
Batch Legend	No legend
Batch Limit	99999999
Batch Names	Batch 1
Batch Size	00000000.
Select Batch	Batch 1
CONTROL2delay	0000
CONTROL2stop	00000000.
CONTROL3delay	0000
CONTROL3stop	00000000.
Count Mode	Up
Overrun Comp	Off
Batch Cycles	1
Restart Delay	00 : 00 : 00

BLANK PAGE

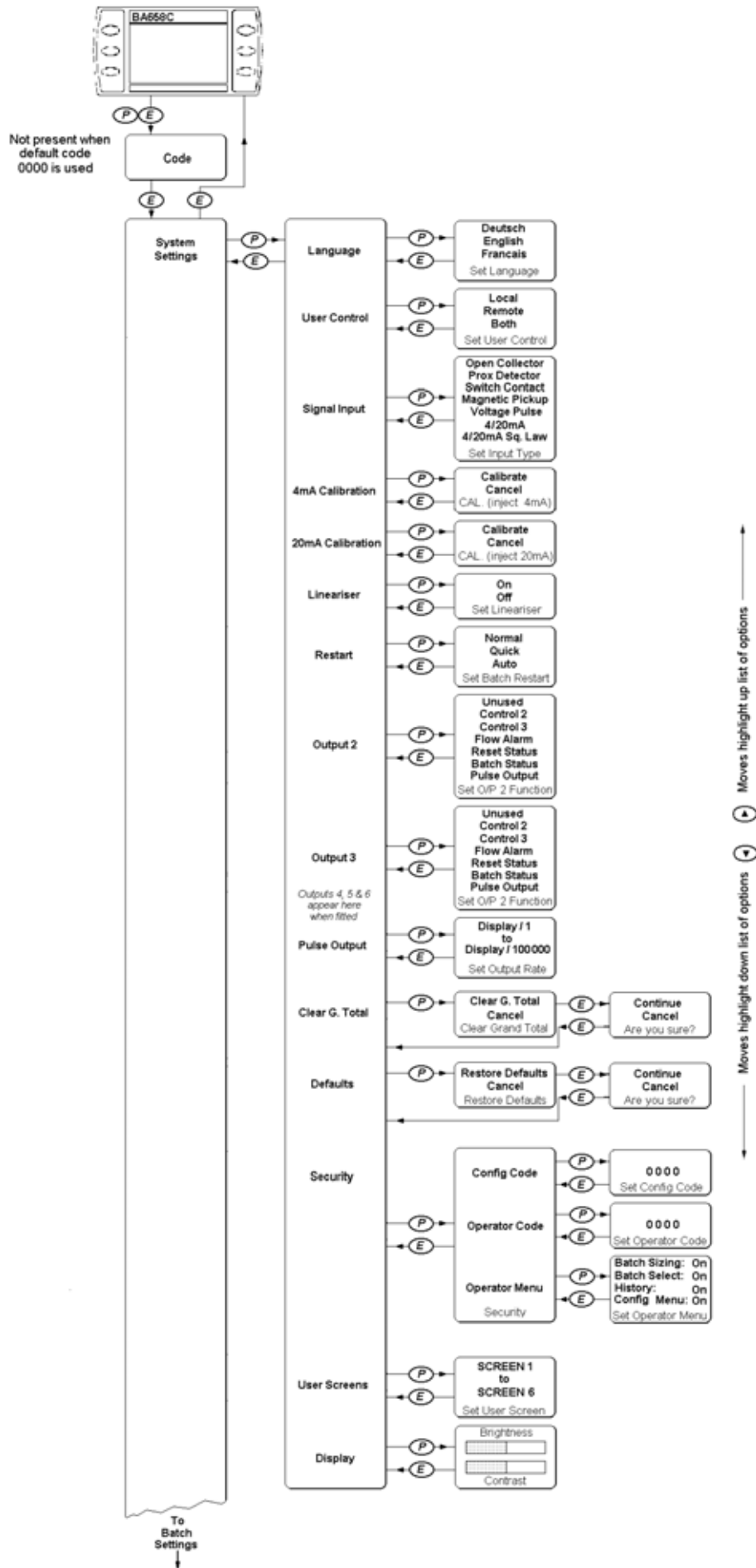


Fig 6 System Settings

5.4 SYSTEM SETTINGS

See Fig 6.

5.4.1 Language

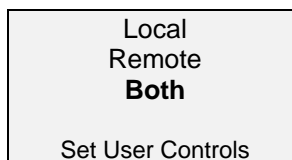
The BA658C can display operating messages and menus in three different languages:



Highlight the required language and press *E* to enter the selection.

5.4.2 User Controls

The BA658C batch controller may be controlled by the front panel push-buttons, by remote switches or by both the front panel switches and the remote switches.



Highlight the required option and press *E* to enter the selection.

5.4.3 Signal Input

A wide variety of analogue and digital transducers and sources may be connected to the batch controller.



Note: Input terminals vary depending upon the type of input, see sections 3.2 and 3.3.

5.4.4 4mA Calibration

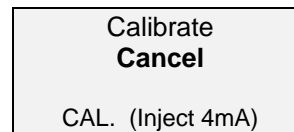
Note: Only necessary when 4/20mA input is used.

When the BA658C batch controller is supplied the analogue current input will have been

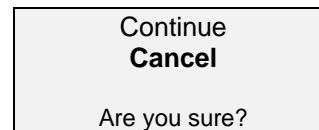
accurately factory calibrated, it is only necessary to perform this calibration as part of routine maintenance.

To perform the calibration connect a 4 to 20mA current source to batch controller terminals 16 & 17(+) and adjust the input current to exactly 4mA. To achieve maximum batch controller performance, the accuracy of the current source should be greater than $\pm 0.025\%$ (4uA).

To prevent the batch controller calibration being accidentally corrupted the instruction has to be confirmed before it will be executed.



Highlight the 'Calibrate' option and operate the *E* pushbutton, which will result in the confirmation screen being displayed. To perform the calibration highlight 'Continue' and press *E*, after a few seconds the display will return to the System setting menu.



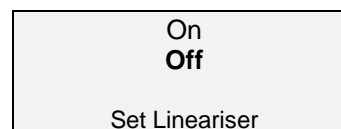
5.4.5 20mA Calibration

This function is identical to the 4mA calibration described in the previous section 5.4.4, but a 20mA input current should be used.

5.4.6 Lineariser (Pulse input)

The 16 point straight line lineariser will compensate for k-factor non-linearity in turbine flowmeters.

This function turns the lineariser on and off, calibration parameters are entered in the Batch Setting menu – See sections 5.5.1 and 5.5.2 .



Highlight the required setting and press *E* to enter the selection

5.4.7 Restart

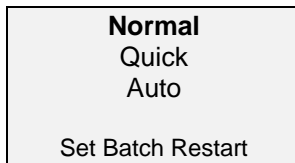
This function determines what happens at the end of each batch. There are three options:

Normal: The display screen shows the volume that has been dispensed. Before another batch can be started the *Reset* push-button must be operated. The screen will then display 'Ready'.

Quick: The display screen shows the volume that has been dispensed. Operating the *Start* pushbutton will reset the batch controller and start another batch.

Auto restart: The display screen shows the volume that has been dispensed. After a configurable restart delay (See 5.5.19) the batch controller automatically resets and starts another batch.

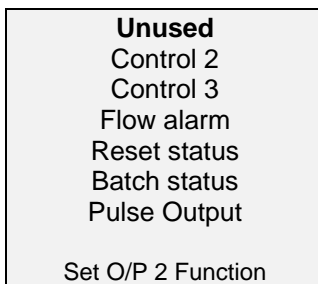
The number of batch cycles to be performed is defined by the Batch Cycle function, which is contained in the Batch Setting menu. See 5.5.18



Highlight the required option and press *E* to enter the selection.

5.4.8 Output 2

Output 2 is a single pole relay contact that is connected to terminals A3 and A4. It may be configured to output any one of six different signals, or may be unused.



Highlight the required option and press *E* to enter the selection.

Note: Two or more of the outputs may be configured to output the same signal.

5.4.9 Output 3

As Output 2 except terminals are A5 and A6.

5.4.10 Optional outputs 4, 5 and 6

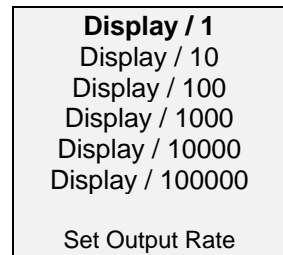
Only available when factory fitted option is installed in the BA658C batch controller. Configuration is the same as for Output 2, except terminal numbers are:

Output	Terminal numbers
4	A7 (+) & A8
5	A9 (+) & A10
6	A11 (+) & A12

and outputs are single pole solid state. See 3.4.

5.4.11 Pulse Output

Any of the batch controller outputs may be configured as a pulse output. The number of output pulses is proportional to the total volume dispensed by the batch controller. This Pulse Output function enables the pulse output frequency to be reduced by one of five dividing factors between 10 and 100,000.



Highlight the required option and press *E* to enter the selection.

Note: Maximum output frequency is 4 Hz.

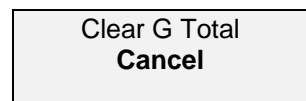
5.4.12 Clear Grand Total

The Grand Total is a record of the total quantity of product dispensed since the Grand Total was last reset to zero. It must be zeroed every time the batch controller scaling is changed.

The Grand Total can be viewed in the Information section of the System Menu – see section 5.2 and Appendix 2.

CAUTION
After zeroing, the old grand total
can not be recovered

To prevent the Grand Total being accidentally zeroed, the clear instruction has to be confirmed before it will be executed.



Clear Grand Total

If 'Clear G Total' is highlighted and the *E* pushbutton operated, a second screen will be presented. To confirm that the Grand Total is to be zeroed highlight 'Continue' and press *E* which will result in the instruction being executed.

Continue
Cancel
Clear Grand Total

5.4.13 Defaults

This function allows the configuration defaults listed in section 5.3 to be globally restored. Although useful for defining a starting point when commissioning a batch controller, the settings overwritten by this command can not be recovered

CAUTION

After restoring default configuration the previous settings can not be recovered.

To prevent the default settings being accidentally restored, the instruction has to be confirmed before it will be executed.

Restore Defaults
Cancel
Restore Defaults

If 'Restore Defaults' is highlighted and the *E* pushbutton operated, a second screen will be presented. To confirm that the defaults are to be restored, highlight 'Continue' and press *E* which will result in the instruction being executed.

Continue
Cancel
Restore Defaults

5.4.14 Security

A summary of instrument security is contained in section 5.1 of this manual.

This security function enables the four digit security codes protecting the configuration and operator menus to be defined. It also allows the contents of the operator menu to be selected.

Config Code
Operator Code
Operator Menu

Security

Highlighting the required function and pressing *P* will result in a selection menu being displayed.

Each of the two security codes is entered digit by digit, when all four digits have been set, pressing *E* will store the code and return the display to the security menu.

0000
Set Config Code

Notes: Default code 0000 disables the security function and allows unrestricted access to the menu.

Access to the Configuration Menus is also protected by an external link as described in section 5.1

Contents of the Operator Menu are defined by toggling the 'On / Off' box associated with each item. To make the selection, highlight the item to be changed and operate the *P* button. The item may then be turned 'On' or 'Off' using the *Up* or *Down* push-buttons.

Batch Sizing: **On**
Batch Select: **On**
History **On**
Config Menu: **On**

Set Operator Menu

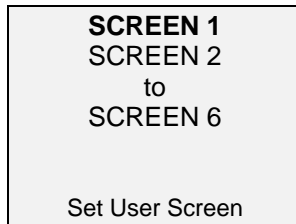
Pressing *E* will enter the selection, another item may then be selected or the display returned to the Security menu by pressing *E* again.

5.4.15 Operator Screens

The user screen may be selected from six different formats that are shown in Appendix 1.

The screens show different information and have different display sizes so that the operator is only presented with the essential information necessary to operate the batching system. Some screens include graphical information allowing batch progress to be rapidly assessed.

Screen 6 is intended for commissioning and shows all engineering information including output status and flow rate.



Highlight the required option and press *E* to enter the selection.

5.4.16 Display

The display contrast and backlight brilliance are adjustable using this function. The two adjustments are made with the *Up* and *Down* buttons, the amplitude of each being shown on a horizontal bargraph. Control is transferred between brilliance and contrast by operating the *P* pushbutton.

After adjustment pressing *E* enters the changes and returns the display to the System Menu.

5.4.17 Output options

Control 1 is a dedicated output that is always connected to terminals A1 and A2. Control 1 is energised immediately the *Start* button is operated and de-energised when the batched volume equals the batch setpoint.

Outputs 2 and 3 may be configured to output six different signals or they may be unused as described in sections 5.4.8 & 9. The following sections describe each of these selectable signals.

5.4.17.1 Control 2

This output is similar to Control 1. It is energised a configurable time, CONTROL2delay, after Control 1 is energised and de-energised a configurable batched

volume, CONTROL2stop, before Control 1 is de-energised. Fig. 1 shows the operation diagrammatically.

5.4.17.2 Control 3

This output is identical to Control 2 except delays are defined by CONTROL3delay and CONTROL3stop.

5.4.17.3 Flow alarm

This output is described in section 5.6.7

5.4.17.4 Reset status

Reset status indicates when the batch has been started and when the controller has been reset and is ready to start another batch. See Fig 7.

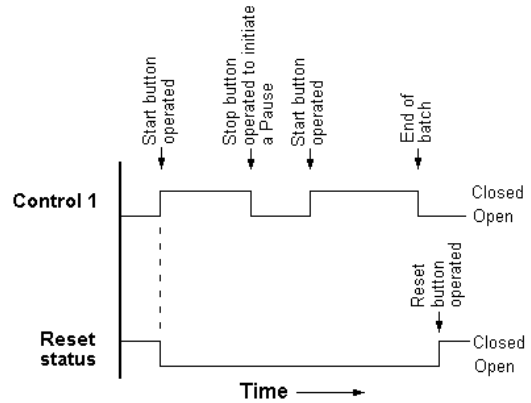
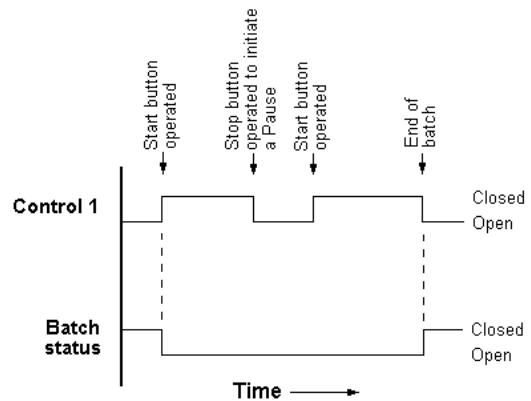


Fig 7 Reset status timing

5.4.17.5 Batch status

Batch status is the inverse of Control 1 except that it does not close when a pause is initiated during a batch. See Fig 8.



Batch status is inverse of Control 1 but does not close when batch controller is Paused

Fig 8 Batch status timing

5.4.17.6 Pulse output

This output is described in section 5.4.11

BLANK PAGE

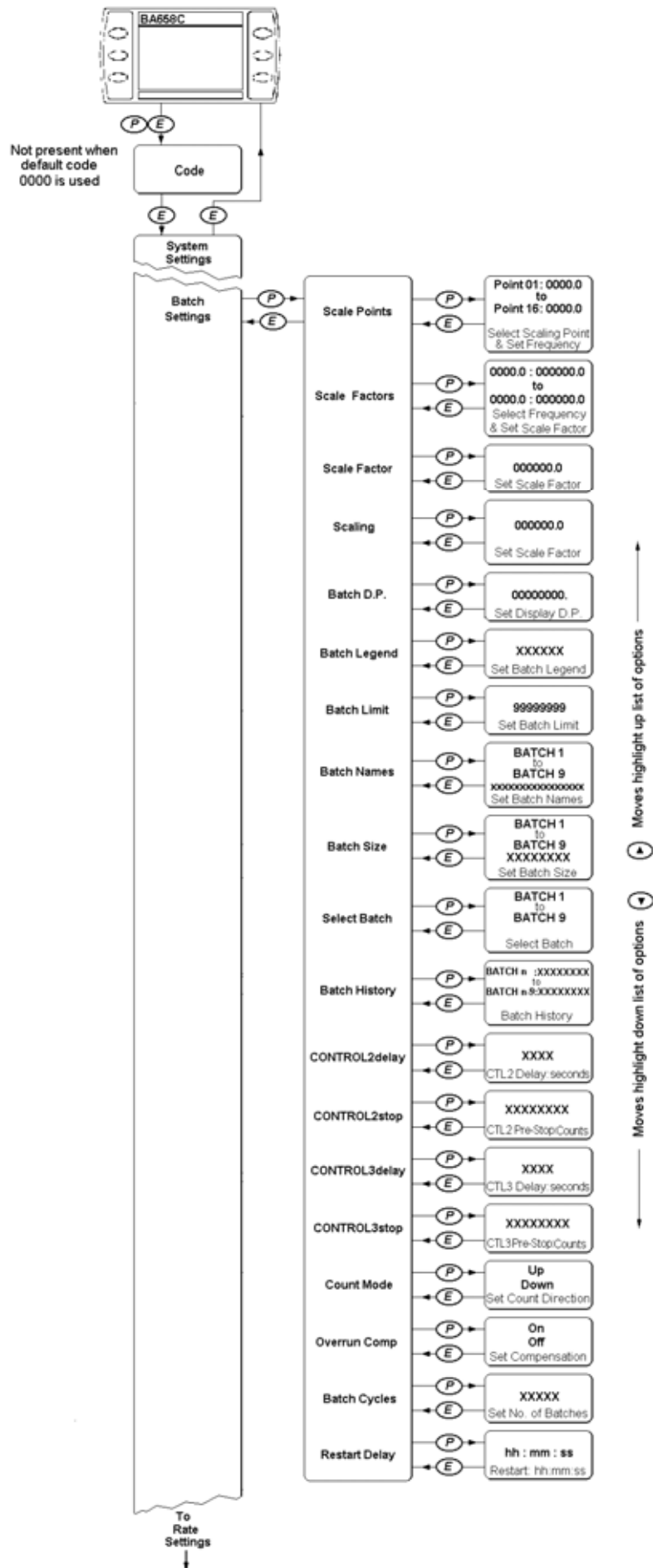


Fig 9 Batch Settings

5.5 BATCH SETTINGS

See Fig 9.

5.5.1 Scale Points (For nonlinear pulse inputs)

This and the following Scale Factors function described in section 6.5.2 are used to calibrate the 16 point lineariser. The lineariser is activated from the System Menu - see section 5.4.6.

Fig 10 shows the relationship between input frequency and Scale Factor for a lineariser using three breakpoints. Up to sixteen breakpoints may be used, the input frequency for any breakpoints that are not required should be set to zero.

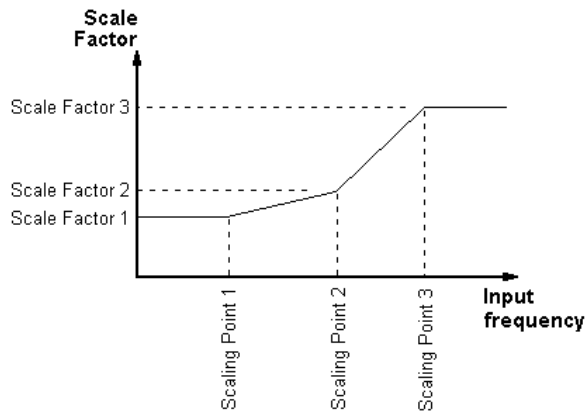


Fig 10 Three point lineariser

The Scale Factor at input frequencies below the lowest Scaling Point is the same as that entered for the lowest Scaling Point.

The Scale Factor for input frequencies above the highest Scaling Point is the same as that entered for the highest Scaling point.

The Scale Factor at input frequencies between two Scaling Points is calculated according to a straight line between the Scale Factors at the two points.

The input frequency at which each breakpoint is required should be set using this function.

Point 01: XXXX.X
to
Point 16: XXXX.X
Select Scaling Point / Set Frequency

5.5.2 Scale Factors (For nonlinear pulse inputs)

The k factor of a flowmeter is the number of output pulses that it produces per unit volume e.g. 70 pulses per litre.

The batch controller's Scale Factor is a dividing factor adjustable between 0.001 and 999999, which is used to convert the output pulses from the flowmeter into a volume display in engineering units.

$$\text{Volume displayed} = \frac{\text{Number of input pulses}}{\text{Scale Factor}}$$

If the Scale Factor is set to the flowmeter's k factor, the batch controller will display volume in the flowmeter's engineering units.

e.g. For a flowmeter having a k factor of 70 pulses per litre, the batch controller Scale Factor may be selected to provide the required display

Scale Factor	Least significant Display digit represents Litres
0.7	Hundredths of a Litre
7.0	Tenths of a Litre
70.0	Litres
700.0	Tens of Litres
7000.0	Hundreds of Litres
318.2	Gallons

(There are 4.54609 litres in a UK gallon)

This function sets the required Scale Factor at each Scaling Point input frequency (breakpoint) defined in the Scaling Point function described in section 5.5.1

XXXX.X: XXXXXX
to
XXXX.X: XXXXXX
Select Frequency / Set Scale Factor

5.5.3 Scale Factor (For linear pulse inputs)

The k factor of a flowmeter is the number of output pulses that it produces per unit volume e.g. 70 pulses per litre.

The batch controller's Scale Factor is a dividing factor adjustable between 0.001 and 999999, which is used to convert the output pulses from the flowmeter into a volume display in engineering units.

$$\text{Volume displayed} = \frac{\text{Number of input pulses}}{\text{Scale Factor}} = \frac{1 \text{ gallon}}{1 \text{ litre}} = \frac{4.5461 \text{ litre}}{1 \text{ litres}}$$

If the Scale Factor is set to the flowmeter's k factor, the batch controller will display volume in the flowmeter's engineering units.

e.g. For a flowmeter having a k factor of 70, the Cal Value may be selected to provide the required display

Scale Factor	Least significant Display digit represents Litres
0.7	Hundredths of a Litre
7.0	Tenths of a Litre
70.0	Litres
700.0	Hundreds of Litres
318.2	Gallons

(There are 4.54609 litres in a UK gallon)

000001.

Set Scale Factor

5.5.4 Scaling (For 4/20mA input)

The 4/20mA analogue output from a flowmeter represents the rate of flow, which may be displayed by the BA658C batch controller in any engineering units. See section 5.6.3

Total batched volume is calculated by integrating the flow rate during the batching period.

The batch controller Scale Factor, which is a dividing factor that may be adjusted between 0.001 and 999999, defines the arithmetic relationship between the units of measurement of the rate and the total batched displays.

$$\text{Scale Factor} = \frac{\text{Units of batched display}}{\text{Units of rate display}}$$

When calculating this Scale Factor, the required units of measurement for the total batched display must be converted to those used for the rate display as shown in the following example.

The BA658C rate display represents litres per second but the total batched display is required in UK gallons.

$$\text{Scale Factor} = \frac{\text{Units of batched display}}{\text{Units of rate display}}$$

$$\text{Scale Factor} = 4.5461$$

If the rate display and the total batched display are required in the same units of measurement, the Scale Factor should be set to 1.0

000001.

Set Scale Factor

5.5.5 Batch D.P.

The position of the decimal point in the batch display, which determines the resolution of the display, is set by this function. In operation leading zeros are suppressed

00000000.

Set Display D.P.

The function also determines the position of the decimal point in the Batch Size, Batch Limit and Pre-Stop functions.

5.5.6 Batch Legend

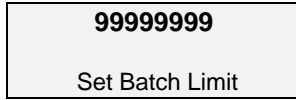
The units of measurement of the batched volume can be entered with this function. Up to six upper and lower case alphanumeric characters may be used. Some of the operator screens will display this legend against the batch display.

XXXXXX

Set Batch Legend

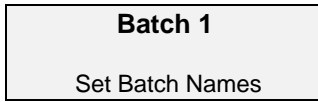
5.5.7 Batch Limit

To prevent accidental over-filling, the Batch Limit defines the maximum batch that may be dispensed. If a batch setpoint greater than the Batch Limit is entered, it will be accepted but a warning will appear on the screen. The position of the decimal point will be the same as the batch display. See 5.5.5.



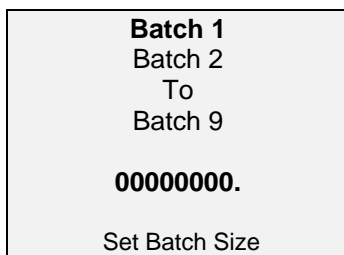
5.5.8 Batch Names

This function enables up to nine pre-entered batch setpoints to be identified with individual names each having up to sixteen alphanumeric characters. The name is displayed when the Batch Size setpoint is selected or adjusted see sections 6.5.9 and 5.5.10. Some of the operator display screens also show the setpoint name.



5.5.9 Batch Size

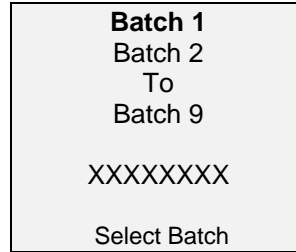
The named batch setpoints can be assigned a value with this function. The position of the decimal point in all the setpoints will be as defined by the Batch D.P. function. - See 5.5.5.



Note: May be included in Operator Menu. See 2.1

5.5.10 Select Batch

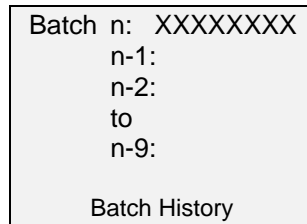
This allows the batch controller's operating setpoint to be selected from the nine pre-entered setpoints. To select, highlight the name of the required setpoint and press *E*. The setpoint value will be shown at the bottom of the display screen.



Note: May be included in Operator Menu. See 2.1

5.5.11 Batch History

The volume of product dispensed in the previous nine batches is recorded by this function.

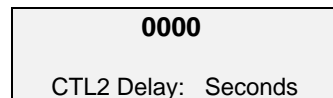


Note: May be included in Operator Menu. See 2.1

5.5.12 CONTROL2delay

(Control 2 Start Delay)

At the start of a batch, Control 1 is energised immediately the *Start* button is operated. Control 2 may be energised at the same time, or delayed for up to 3600 seconds by this function.



5.5.13 CONTROL2stop (Control 2 Pre-Stop)

Control 1 is de-energised when the batched total equals the batch setpoint. Control 2 may be de-energised at the same time, or a programmable batch quantity before the batch setpoint is reached. This quantity is defined by CONTROL2stop which is displayed in the same units as the batched total.

00000000.
CTL2 Pre-Stop: Counts

5.5.14 CONTROL3delay

(Control 3 Start Delay)

As Control 2 Start delay described in section 5.5.12 except the delay applies to Control 3.

5.5.15 CONTROL3stop (Control 3 Pre-Stop)

As Control 2 Pre-Stop described in section 5.5.13 except this function applies to Control 3.

5.5.16 Count Mode

This function determines whether the batch display counts upwards from zero to the batch size setpoint, or downwards from the batch size setpoint to zero.

Up
Down
Set Count Direction

Highlight the required option and press *E* to enter the selection.

5.5.17 Overrun Compensation

Overrun compensation automatically corrects for time delays in the batching system that may cause product dispensing to continue after Control 1 has been de-energised. The average overrun of the last three batches is used for the correction.

When overrun compensation is selected, the average amount of product dispensed between Control 1 being de-energised and

the batch controller being reset is calculated. This quantity is automatically subtracted from the batch setpoint for subsequent batches.

If the flow alarm has been assigned to one of the outputs, overrun compensation will be calculated using the product dispensed between Control 1 being de-energised and the flow alarm being activated or the batch controller being reset, whichever occurs first.

On
Off
Set Compensation

Highlight the required option and press *E* to enter the selection.

5.5.18 Batch Cycles

When the 'Restart' function described in section 6.4.7 is set to 'Auto Restart', this function defines the number of batches that are performed. Any number of cycles up to 10,000 may be entered.

0001
Set No. of Batches

Set the required number of cycles digit by digit and press *E* to enter the value.

5.5.19 Restart Delay

When the 'Restart' function described in section 5.4.7 is set to 'Auto Restart', this function defines the delay between one batch finishing and the next batch starting. Any delay up to 24 hours may be set.

00 : 00 : 00
Restart: hh : mm : ss

Set the required delay time digit by digit and press *E* to enter the value.

BLANK PAGE

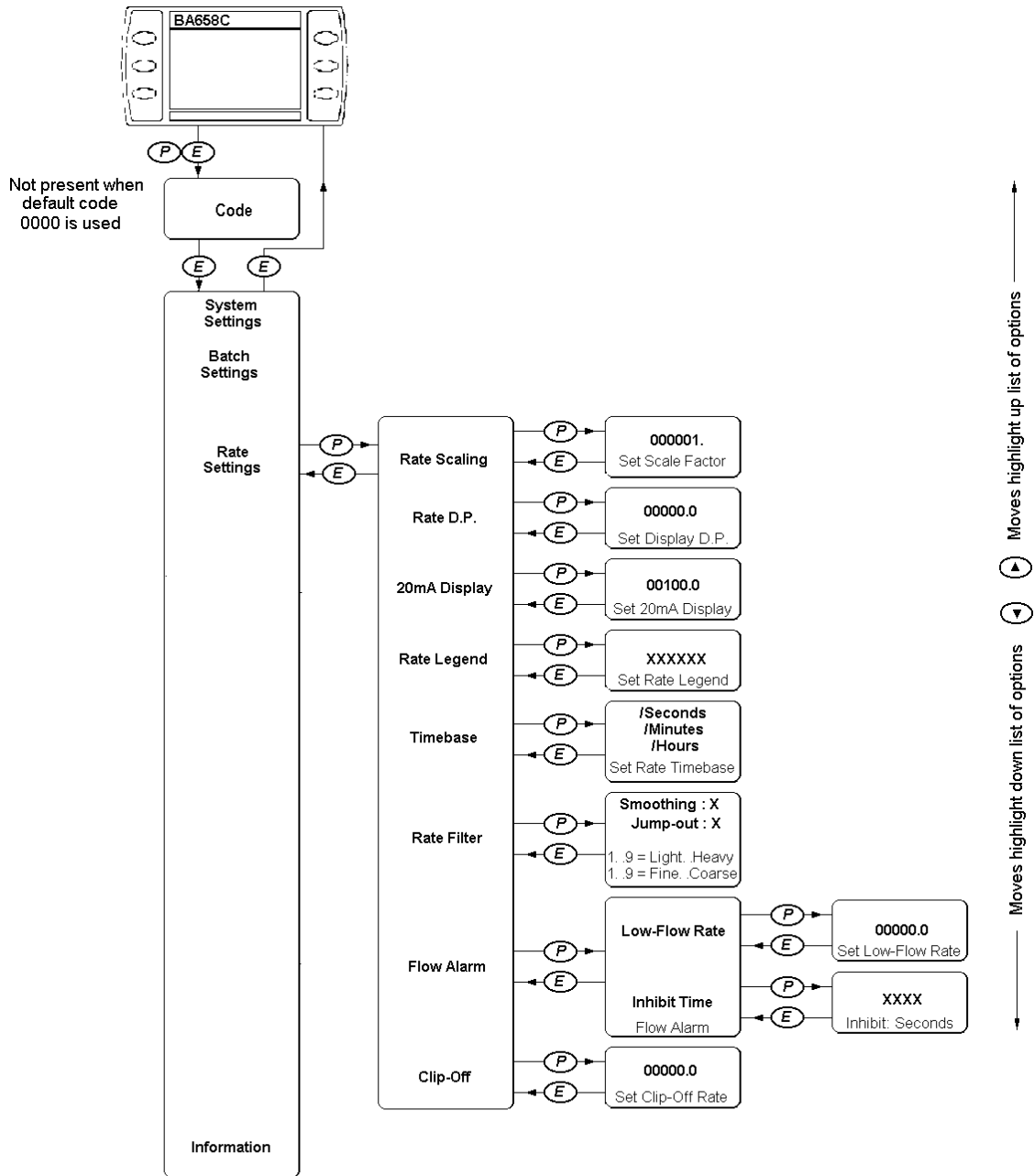


Fig 11 Rate Settings

5.6 RATE SETTINGS

See Fig. 11

5.6.1 Rate Scaling (For pulse inputs)

The Rate Scaling factor, which may be adjusted between 0.001 and 999999, defines the arithmetic relationship between the units of measurement of the batch display and the rate display units of measurement.

$$\text{Rate Scaling Factor} = \frac{\text{Units of rate display}}{\text{Units of batch display}}$$

When calculating the Rate Scaling Factor, the required units of measurement for the rate display must be converted to those used for the batch display as shown in the following example.

The BA658C batch display is in UK gallons but the rate display is required in litres.

$$\text{Rate Scaling Factor} = \frac{\text{Units of rate display}}{\text{Units of batch display}}$$

$$= \frac{1 \text{ litre}}{1 \text{ gallon}}$$

$$= \frac{1 \text{ litre}}{4.5461 \text{ litres}}$$

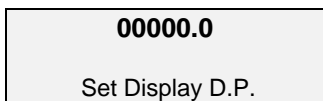
$$\text{Rate Scaling Factor} = 0.21997$$

If the rate display is required in the same units as the batch display, the Rate Scaling Factor should be set to 1.0



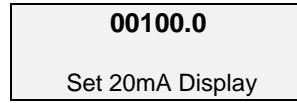
5.6.2 Rate D.P. (For pulse inputs)

The position of the rate display decimal point, which determines the resolution of the display, is set by this function. In operation leading zeros are suppressed



5.6.3 20mA Display (For 4/20mA input)

The rate display at 20mA is set with this function. The range of adjustment is between 0.00001 and 999999



The display may represent flow per second, per minute or per hour. The units of time are defined by the Timebase, which determines how the measured rate is integrated to produce the batch display. See 5.6.5

5.6.4 Rate Legend

This function enables the units of the rate display to be entered. Up to six upper and lower case alphanumeric characters may be used. Some of the operator screens will display this legend against the rate display.



5.6.5 Timebase

The exact function of the timebase depends upon whether the batch controller is conditioned to receive a pulse input or a 4/20mA analogue input.

Pulse inputs

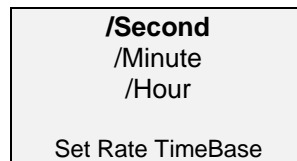
Number of pulses received is proportional to volume dispensed.

The timebase multiplies the rate display by 60 if flow per minute is to be shown and by 3,600 if flow per hour is to be shown.

4/20mA Analogue input

Amplitude of the input current is proportional to rate of dispensing (flow).

The timebase does not affect the rate display. If the rate display represents flow per minute, the batch display is divided by 60, if the rate display represents flow per hour the batch display is divided by 3,600.



Highlight the required option and press *E* to enter the selection.

5.6.6 Rate Filter

The BA658C contains a digital filter with two independent adjustable parameters enabling the rate display frequency response to be tailored for optimum performance.

Smoothing: **2**
 Jump-Out: **4**
 1.9 = Light..Heavy
 / 1.9 = Fine..Coarse

Smoothing

Amount of filtering applied (time constant). Adjustable between 0 and 9, where 0 is no filtering and 9 is maximum filtering.

Smoothing	Filter time constant seconds
0	0
1	1.3
2	4.3
3	6.5
4	8.7
5	11.3
6	15.7
7	20.9
8	25.2
9	31.5

Jump-Out

Defines the deviation from the displayed rate at which the filter will be overridden and the rate display will move rapidly to the new value.

Jump-Out	Magnitude of step change which will produce a rapid response
0	Off
1	1%
2	2%
3	4%
4	8%
5	12%
6	16%
7	24%
8	32%
9	64%

By careful adjustment of the two parameters a stable display with an acceptable step response can be obtained for most applications.

During commissioning it is recommend that initially Jump-Out is set to 0 (off) and Smoothing is adjusted to provide acceptable rate display stability. Jump-Out should then be increased until the selected step size is greater than the noise on the display signal, at which setting the rate display will again become stable. These will be the optimum filter parameters for acceptable rate display stability and a fast response to a large rate signal change.

5.6.7 Flow Alarm

The flow alarm may be assigned to any of the batch controller outputs – See sections 5.4.8 & 9. When the flow rate falls below the flow alarm setpoint, the assigned output will close, the BA658C will enter a pause condition and the display will show ‘Paused – Low Flow’.

To prevent false alarms at the start of a batch while the flow rate increases, the flow alarm may be inhibited for between 1 and 3,600 seconds after the batch is started.

Low-Flow Rate
 Inhibit Time

 Flow Alarm

Highlight the ‘Low-Flow Rate’ option and operate the *P* pushbutton, which will result in the ‘Set Low-Flow Rate’ screen being displayed with the decimal point positioned as already specified. Set the required alarm setpoint digit by digit then press *E* to enter the value and return to the ‘Flow Alarm’ screen.

If the alarm is to be inhibited while the batch is starting, highlight the ‘Inhibit Time’ option and operate the *P* pushbutton which will result in the ‘Inhibit: Seconds’ screen being displayed. Set the required inhibit time digit by digit and then press *E* to enter the value and return to the ‘Flow Alarm’ screen.

5.6.8 Clip-Off

To prevent the batch total being incremented at very low flow rates where flowmeters may be less accurate, the BA658C incorporates an adjustable clip-off function. At flow rates below the adjustable clip-off threshold, the rate display is forced to zero and the batch display is not incremented.

00000.0
 Set Clip-off Rate

6. CALIBRATION EXAMPLE

In this example a BA658C batch controller is required to control the dispensing of a liquid into a tank as shown in Fig. 12.

The BA658C batch controller is required to:

Dispense 1,000 or 500 litres of product into a tank having a maximum capacity of 1,100 litres. Two volumes to be identified Full volume and Half volume respectively.

The flowmeter incorporates a proximity detector and produces an output of 25 pulses per litre.

Display the dispensed total with a resolution of 0.1 litres.

Batch Controller to count upwards from zero to the batch setpoint.

Control two parallel valves (2 stage control).

At start of the batch valve 2 is to open 10 seconds after valve 1 and to close when 50 litres of product remain to be dispensed.

Compensate for errors resulting from actuator delays.

Initiate an alarm (sounder) if the flow rate falls below 0.2 litres per second. Alarm to be inhibited for the first 20 seconds of the batch.

Operator needs to select the batch size from the operator menu, but must not be able to adjust the two setpoints. The operator requires access to the history of the last ten batches but must not have access to the configuration menu.

The process is to be controlled by the batch controller's front panel switches. The Reset function is not required.

The Operator Menu is not to be protected by a security code, but the Configuration Menus are to be protected by code 1209.

To achieve these requirements the BA658C batch controller should be configured as follows.

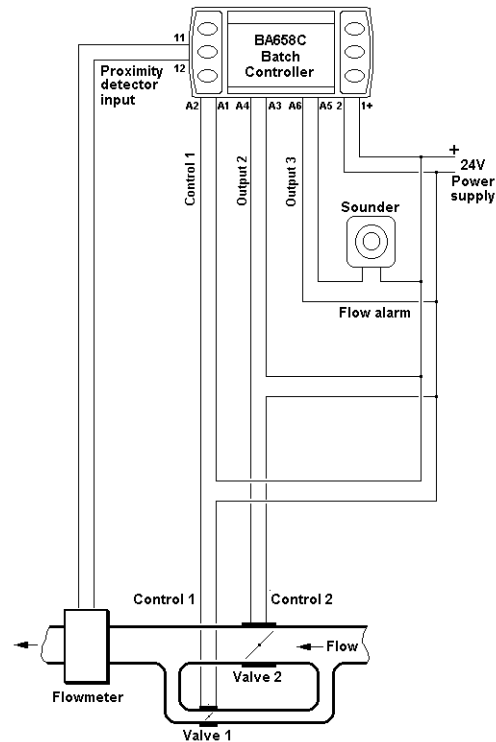


Fig 12 Liquid dispensing system

System Settings

Function	Setting
Language	English
User Controls	Local
Signal Input	Prox Detector
Lineariser	Off
Restart	Quick
Output 2	Control 2
Output 3	Flow Alarm
Clear Grand Total	Yes
Security	
Config Code	1209
Operator Code	0000
Operator Menu	Batch Sizing Off
	Batch Select On
	History On
	Config Menu Off
Operator Screens	Screen 1

Batch Settings

Function	Setting
Scale Factor	25
Batch D.P.	0000000.0
Batch Legend	Litres
Batch Limit	1050.0
Batch Names	Batch 1 Full Volume Batch 2 Half Volume
Batch Size	Full Volume 1000.0 Half Volume 500.0
CONTROL2delay	10 seconds
CONTROL2stop	50.0
Count Mode	Up
Overrun Comp	On

Rate Settings

Function	Setting
Rate Scaling	1.0
Rate D.P.	00000.0
Rate Legend	L / s
Timebase	/Second
Rate Filter	Smoothing 2 Jump-Out 4
Flow Alarm	Low-Flow Rate 0.2
Inhibit Time	0020
Clip-Off	00000.0

7. MAINTENANCE

7.1 Fault finding during commissioning

If a BA658C fails to function during commissioning the following procedure should be followed:

Symptom	Cause	Check:
No Display	No Power Incorrect wiring	That there is at least 20 volts between terminal 1 and 2. Terminal 1 should be positive.
Front panel pushbuttons do not function.	Batch controller conditioned to operate with remote switches.	User Controls configuration.
BA658C will not count input pulses or integrate 4/20mA input.	Input not correctly configured. Input connected to wrong terminals or reversed. Incorrect electrical level	Signal input configuration. Input terminals That pulse input exceeds batch controller's input switching thresholds. 4/20mA loop can tolerate 0.6V drop introduced by the batch controller.
Control 1 is not energised and screen does not display 'Running' when <i>Start</i> button is operated.	Batch size setpoint not entered.	Batch setpoint. Enter or select the correct batch setpoint.
BA658C continues to count after batch size setpoint is reached.	The BA658C will only stop counting when input pulses stop, or 4/20mA input current falls to 4mA.	Note: The control loop must be closed so that the batch controller output(s) control the input signal.
Configuration menus are not accessible.	Security link missing and / or security code not entered.	That terminals 18 & 19 are joined together. Enter four digit security code.
Function missing from sub-menu.	Functions dependent on higher level functions are removed from menu if the higher level function is not selected.	That related higher function has been selected.
Batch controller is not performing as anticipated.	Incorrect configuration.	Information menu that lists all the configuration settings.

The information sub-menu, which is described in section 5.2 and Appendix 2, lists all the batch controller configuration settings. This provides a rapid way of checking that the instrument has been correctly configured.

7.2 Fault finding after commissioning

ENSURE PLANT SAFETY BEFORE STARTING MAINTENANCE

If a BA658C fails after it has been functioning correctly, the table shown in section 7.1 may help to identify the cause of the failure.

If this procedure does not reveal the cause of the fault, please contact BEKA or our local agent.

7.3 Servicing

We recommend that faulty BA658C batch controllers are returned to BEKA associates or to our local agent for repair.

7.4 Routine maintenance

The mechanical and electrical condition of the instrument should be regularly checked. Initially annual inspections are recommended, but the inspection frequency should be adjusted to suit the environmental conditions.

See sections 5.4.4 and 5.4.5 if the batch controller's 4/20mA input is being used.

7.5 Guarantee

Instruments which fail within the guarantee period should be returned to BEKA associates or our local agent. It is helpful if a brief description of the fault symptoms is provided.

7.6 Customer comments

BEKA associates is always pleased to receive comments from customers about our products and services. All communications are acknowledged and whenever possible, suggestions are implemented.

8. ACCESSORIES

8.1 Tag number

The BA658C can be supplied with a thermally printed tag number on the rear panel. This tag number is not visible from the front of the instrument after installation.

9. INDEX

Subject	Section	Subject	Section
Backlight	5.4.16	Maintenance	7.
Batch		Menu	
Cycles	5.5.18	Batch settings	5.5
Decimal point D.P.	5.5.5	Configuration	5.
History	5.5.11	Operator	2.1
Legend	5.5.6	Rate settings	5.6
Limit	5.5.7	System	5.4
Names	5.5.8		
Select	5.5.10	Operator	
Size	5.5.9	Controls	2.1
Status	5.4.17.5	Display	5.4.16
		Screens	5.4.15, Appendix 1
Calibration		Output	
4mA	5.4.4	2	5.4.8
20mA	5.4.5	3	5.4.9
Example	6.	4, 5 & 6 (optional)	5.4.10
Clip-off	5.6.8	Options	5.4.17
Configuration		Batch status	5.4.17.5
Batch	5.5	Control 2	5.4.17.1
Default	5.3	Control 3	5.4.17.2
Rate	5.6	Flow alarm	5.4.17.3
System	5.4	Pulse output	5.4.17.6
CONTROL2delay	5.5.12	Reset status	5.4.17.4
CONTROL3delay	5.5.14	Overrun compensation	5.5.17
CONTROL2stop	5.5.13		
CONTROL3stop	5.5.15	Power supply	3.1
Count mode	5.5.16	Failure of	3.1.1
		Pulse output	5.4.11, 5.4.17.6
Defaults	5.4.13		
EMC	4.3	Rate settings	5.6
External switches	3.5	Decimal point D.P.	5.6.2
		Filter	5.6.6
Flow alarm	5.6.7, 5.4.17.3	Legend	5.6.4
		Scaling (pulse input)	5.6.1
Grand total	5.4.12	Timebase	5.6.5
	Appendix 2	Reset	
Information sub-menu	Appendix 2	Pushbutton	2.1
Inhibit link	3.6	Status	5.4.17.4
Inputs	3.2, 3.3	Restart	5.4.7
Analogue 4/20mA	4.2.3	Delay	5.5.19
Proximity detector	3.2.2		
Switch contact	3.2.1	Security	5.1, 5.4.14
Voltage pulse	3.2.3	Link	3.7
Installation procedure	4.2	Scale factors	5.5.2, 5.5.3
		Scale points	5.5.1
Language	5.4.1	Scaling	5.5.4
Lineariser	5.4.6	Signal input	5.4.3
Location	4.1	Start pushbutton	2.1
		Stop pushbutton	2.1
		Switch outputs	3.4
		Tag number	8.1
		User controls	6.4.2

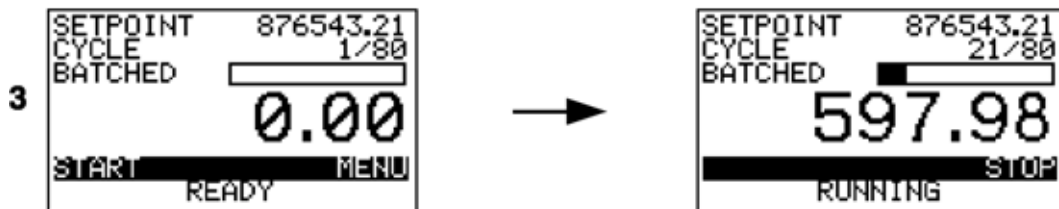
Appendix 1 Operator display screens



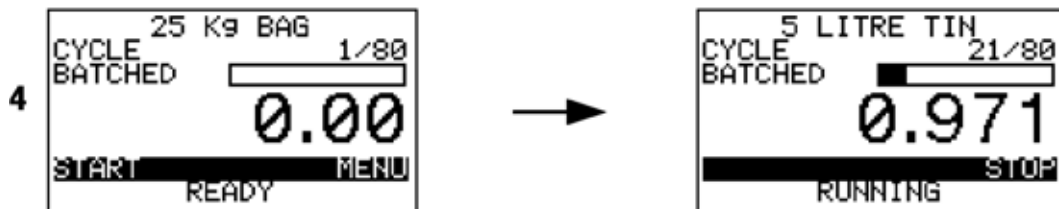
Shows batch quantity, units of measurement & bargraph depicting batch progress.



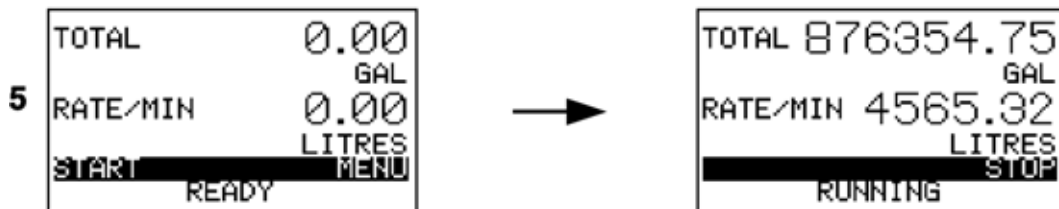
Shows batch setpoint, batched quantity & bargraph depicting batch progress.



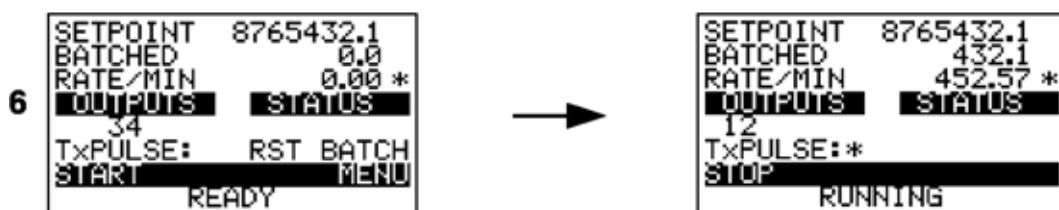
Shows batch setpoint, batched quantity and bargraph depicting progress. When autostart is used, also shows current batch number and number of batches requested.



Shows setpoint name, batched quantity and bargraph depicting progress. When autostart is used, also shows current batch number and number of batches requested.



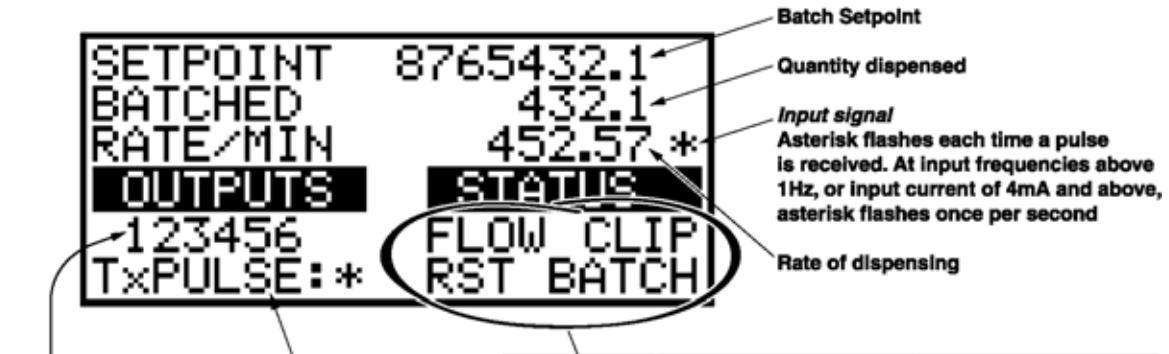
Shows batched quantity and units of measurement plus rate of dispensing and units of measurement.



Commissioning screen shows, batched quantity and rate of dispensing plus status of all outputs.

Appendix 1 Continued

Explanation of commissioning screen 6



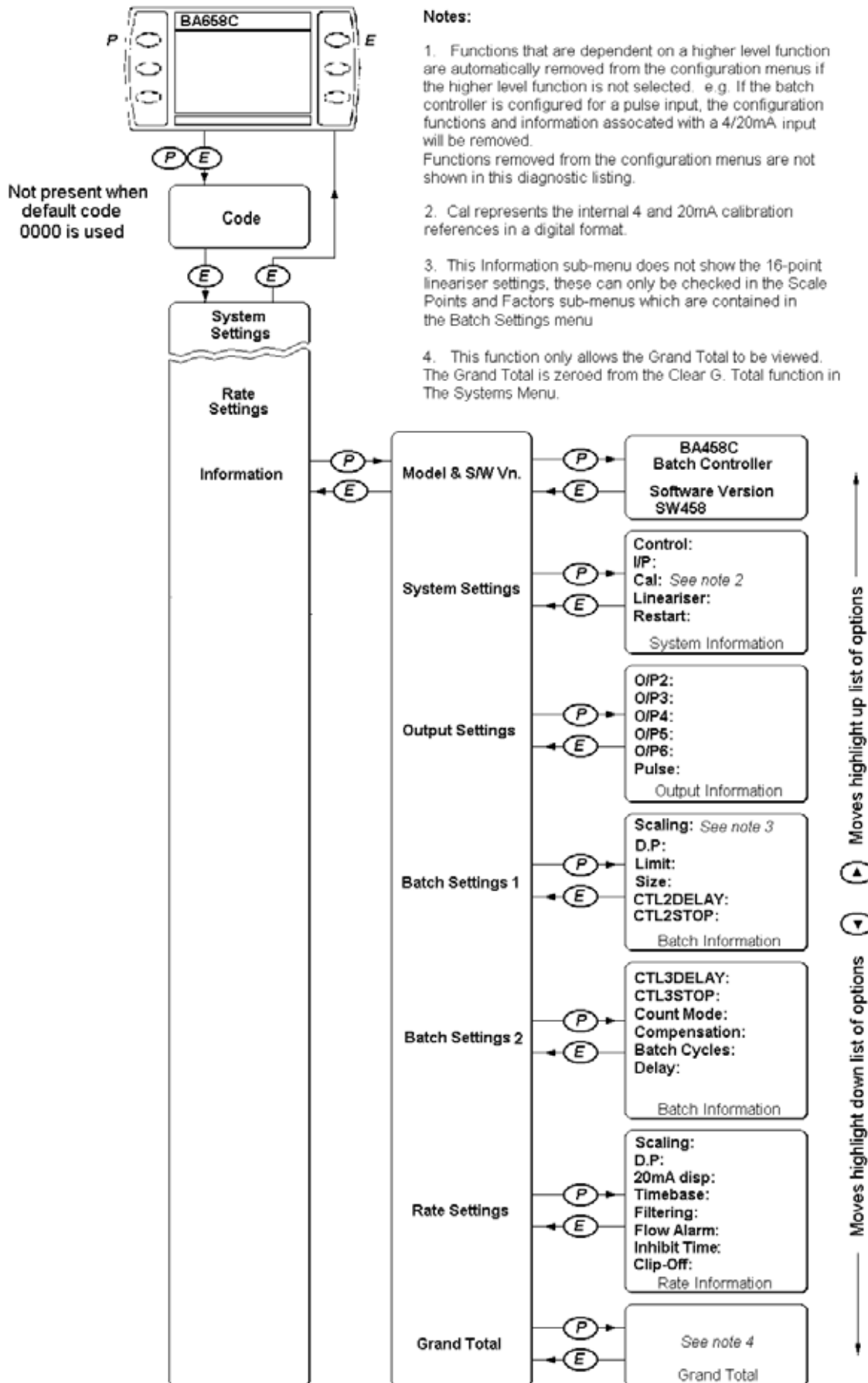
Number is displayed when associated output is energised (closed).
Note: Output 1 is dedicated to control 1

Pulse output. Asterisk flashes each time pulse is transmitted. At output frequencies above 2Hz asterisk is permanently displayed.

Status Annunciator	Annunciator function	Output status - if assigned
FLOW	Annunciator activated while flow rate is below flow alarm setpoint.	Output closed while flow rate is below flow alarm setpoint.
CLIP	Annunciator activated while flow rate is below pre-set clip-off threshold.	Can not be assigned to an output.
RST	Reset Status Annunciator activated when batch controller is reset and remains activated until next batch is started. i.e While controller screen is displaying 'Ready'.	Output opens when batch is started and closes when batch controller is reset.
BATCH	Batch Status Annunciator activated when batch is started and remains activated until batch is complete.	Output opens when batch is started and closes when batch is complete.

NOTE: Status annunciator is displayed irrespective of assignment to an output.

APPENDIX 2 Information menu



Notes:

1. Functions that are dependent on a higher level function are automatically removed from the configuration menus if the higher level function is not selected. e.g. If the batch controller is configured for a pulse input, the configuration functions and information associated with a 4/20mA input will be removed.

Functions removed from the configuration menus are not shown in this diagnostic listing.

2. Cal represents the internal 4 and 20mA calibration references in a digital format.

3. This Information sub-menu does not show the 16-point lineariser settings, these can only be checked in the Scale Points and Factors sub-menu which are contained in the Batch Settings menu

4. This function only allows the Grand Total to be viewed. The Grand Total is zeroed from the Clear G. Total function in The Systems Menu.